

lilypad table*



made in australia

6-8 weeks delivery
speedy after sales service



superbly crafted hand finish



more pics @

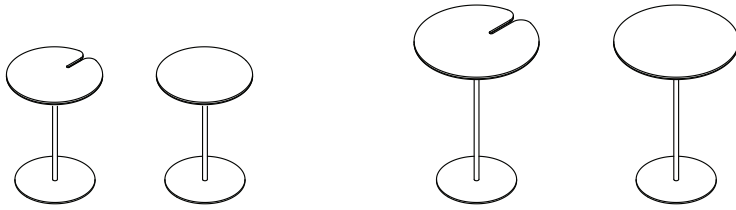
[http://www.schamburgalvisse.com.au/
photos/lilypad-tables.htm](http://www.schamburgalvisse.com.au/photos/lilypad-tables.htm)

www.schamburgalvisse.com.au

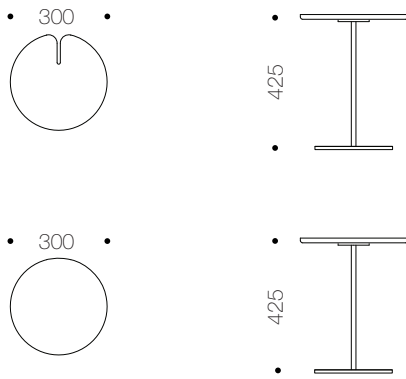
p 61 2 9212 7644 **f** 61 2 9212 7844 **e** sales@schamburgalvisse.com.au

lilypad table*

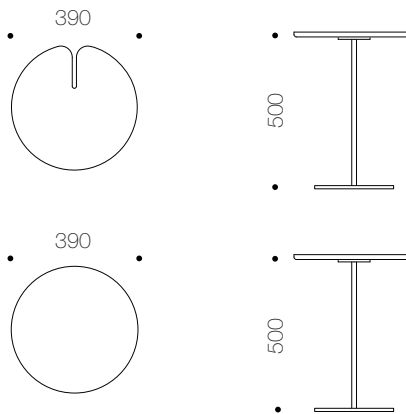
elevation view



lilypad 300 table



lilypad 390 table



specifications:

- top options:
 - white laminate (GECA compliant)
 - ash veneer
 - custom finishes available for project quantities 10+
- substrate:
 - eco-plywood
- edge detail:
 - square
- base:
 - steel/powdercoat, white textured pedestal bases

edge options:

- square edge



www.schamburgalvisse.com.au

p 61 2 9212 7644 f 61 2 9212 7844 e sales@schamburgalvisse.com.au